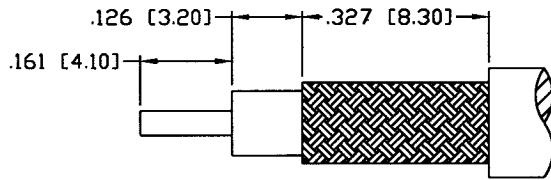


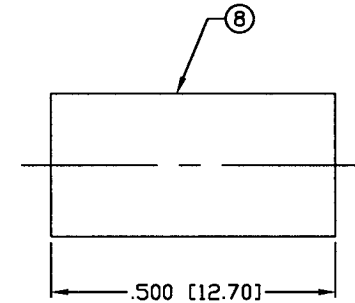
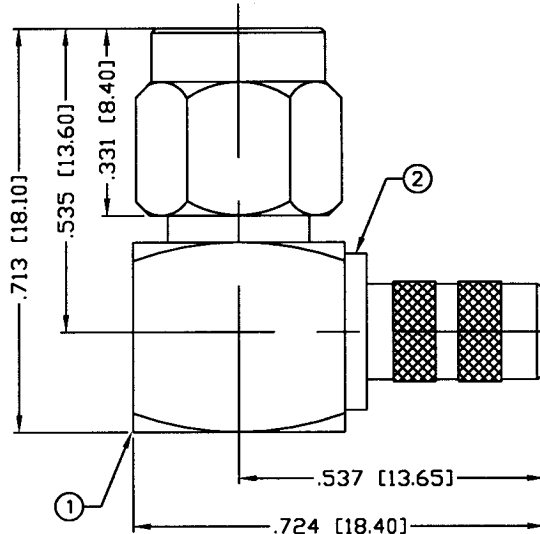
THIS DRAWING CONTAINS INFORMATION PROPRIETARY TO RF INDUSTRIES.  
 ANY UNAUTHORIZED USE OF THIS DRAWING IS EXPRESSLY PROHIBITED  
 WITHOUT WRITTEN PERMISSION FROM RF INDUSTRIES.  
 ANY VIOLATION IS PUNISHABLE UNDER U.S. COPYRIGHT LAWS.

ALL DIMENSIONS ARE REFERENCE ONLY

PART NO.		<b>RSA-3010-C2</b>		
REV	DESCRIPTION	DWN	DATE	APPROVED
-	ENGINEERING RELEASE	GGG	12/17/01	JDMc



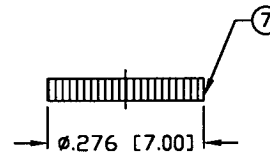
RECOMMENDED STRIPPING INSTRUCTIONS  
SOLDER CABLE CENTER CONDUCTOR  
TO CONNECTOR PIN



RECOMMENDED CRIMP DIE: .213

SPECIFICATIONS:

IMPEDANCE: 50 Ohms  
 FREQUENCY RANGE: 0-12.4 GHz  
 INSERTION LOSS(dB):  $0.04 \times \sqrt{f(\text{GHz})}$   
 WORKING VOLTAGE: 500 V rms Max. @ Sea Level  
 INSULATION RESISTANCE: 5k M Ohms min.  
 TEMPERATURE RANGE: -65°C TO 85°C  
 FOR TIMES LMR-200, ALPHA 9848 & MSI-22



1	BODY	1	BRASS	NICKEL, 100 μ"
2	FERRULE STUD	1	BRASS	NICKEL, 100 μ"
3	INSULATOR	1	PTFE	---
4	PIN	1	BRASS	GOLD, 50 μ"
5	RETAINING RING	1	Be-Cu	---
6	GASKET	1	SILICONE	---
7	COVER	1	BRASS	NICKEL, 100 μ"
8	FERRULE	1	BRASS	NICKEL, 100 μ"
9				
10				
11				
12				
13				
14				
#	DESCRIPTION	QTY	MATRL	FINISH

008974	
DRAWN	G. GALLEGOS
CHECKED	JDMc 2-22-02
ORJ DRAWN	G. GALLEGOS
DATE	1/16/02

UNLESS OTHERWISE SPECIFIED:  
 1. REMOVE ALL BURRS  
 2. BREAK ALL CORNERS & EDGES .005 R. MAX.  
 3. CHAMFER 1ST & LAST THREADS 45°  
 4. SURFACE ROUGHNESS 63 FINISH MIL-STD-10  
 5. DIAMETERS ON COMMON CENTERS TO BE CONCENTRIC WITHIN .002 T.I.R.  
 6. ALL DIMENSIONS ARE AFTER PLATING.

DIMENSIONS ARE IN INCHES AND [MILLIMETERS]  
 UNLESS OTHERWISE NOTED TOLERANCES ARE:

DECIMALS	DIAMETER
.xxx±.003 [.08]	.xxx±.001 [.03]
.xx±.005 [.13]	.xx±.003 [.08]

**RF connectors**  
 DIVISION OF RF INDUSTRIES, LTD.

7610 MIRAMAR RD  
 SAN DIEGO, CA 92126  
 (858) 549-6340  
 (858) 549-6345 FAX

<b>SMA PLUG, CRIMP R/A</b>			
SIZE	CABLE GROUP	DWG NO.	REV
A	C2	RSA-3010-C2	-
SCALE:	NTS	CAD FILE	OUTLINE
SHEET 1 OF 1			